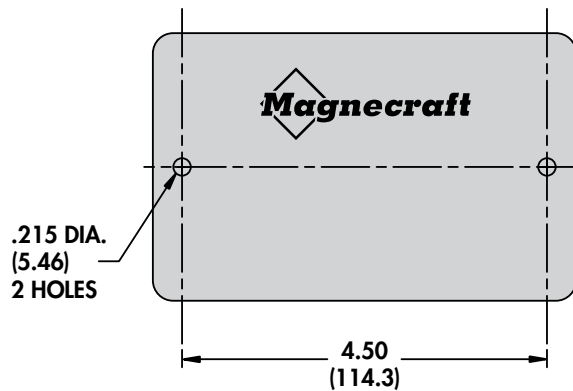


Metal Enclosure/199 Power Relay



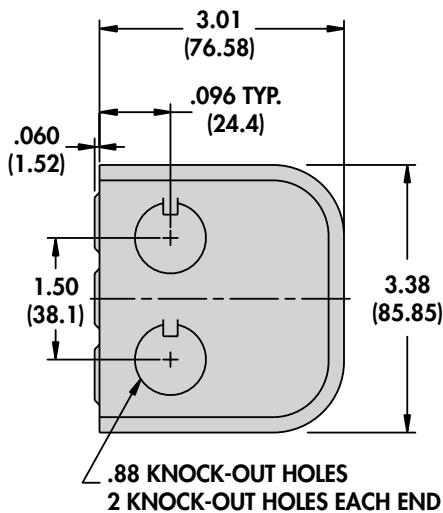
BOLD-FACED PART NUMBERS ARE NORMALLY STOCKED

Characteristics	50-1289-1
Description	Universal Mount Metal Enclosure
Function	Covers and Protects Relays
Weight	Approx. 1 lb.
Relays Used With	
	199 (Sec. 6, p.2-11)

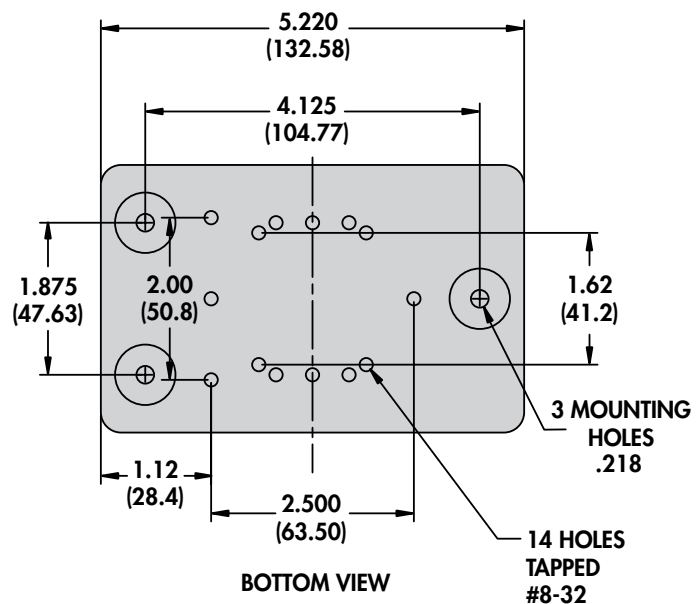


TOP VIEW

1/2" conduit knockouts on each end.



SIDE VIEW



BOTTOM VIEW

3 MOUNTING HOLES
.218
14 HOLES TAPPED
#8-32