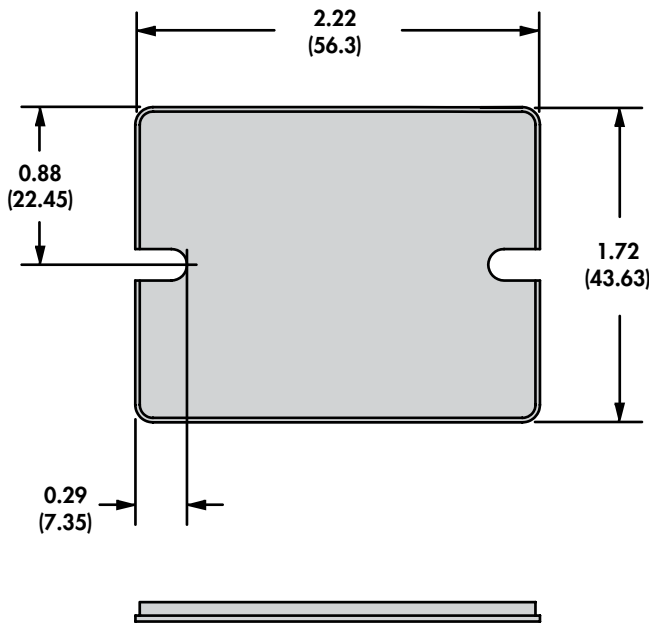




One of the major considerations when using a SSR is properly managing the heat that is generated when switching currents higher than about 5 amps. In this scenario one must mount the base plate of the SSR onto a good heat conductor, typically aluminum; along with utilizing a good thermal transfer medium such as thermal grease or heat transfer pad. Magnecraft's thermal pad eliminates the need for messy thermal grease and simplifies installation with a simple peel-and-stick solution.

Characteristics		SSR-TP-1
Description		Thermal Pad for Class 6 Relay
Function		Eliminates the need for Thermal Grease
Packaging minimum		10 pieces
Used With these Solid State Relays		
Up to 50 Amps		6 Series (Sec. 4, p.18-27)



INSTALLATION:

1. RELEASE LINER ON ONE SIDE OF THE THERMAL PAD, PLACE UNDERNEATH CLASS 6 SOLID STATE RELAY.
2. RELEASE LINER ON OTHER SIDE OF THERMAL PAD AND PLACE RELAY AND PAD ONTO HEAT SINK OR PANEL.

