

## Advantages of a Finger-Safe, Ice Cube Socket System

### The Complete System Solution!



**I.D. Tag/Write-On Plastic Label**  
Used for Custom Identification of Circuits.

**Isolated Input and Output Terminals**  
Separates Control Circuits from Load Circuits.

**Slim Design**  
Minimizes Space on DIN Rail.

**Mating Hold-Down Clips Available**  
Secures Relay to Socket.



**DIN Rail End Clip**  
Locking Screw Keeps a Snug DIN Rail System by Eliminating Sliding Sockets.

**DIN Rail**  
35 mm Extruded Aluminum Rail. Designed to Work With Most Sockets. Pre-punched for Quick Installation.



- Offers a “one stop solution” for your power management system.
- Variety of contact configurations and materials to meet your switching needs.
- Plug-In switching capabilities from 10mA to 20 Amps.
- A variety of Feature Codes and operation combinations available for all budgets.
- Ejector clips, ribbed relay housings and space-saving sockets allow for easy removal from crowded DIN rails.
- Color and appearance designed for high visibility in all environments.
- Wiring diagrams include NEMA and IEC standards.
- Engineering availability allows for customized relay solutions.
- Internal Coil Bus Jumper System reduces the number of wires required for hook-up to adjacent sockets.



**Modules**

Allows for Optional Protection or LED Modules to be Used With Sockets.

The 700 series sockets have the perfect mix of historical Magnecraft socket quality combined with a dynamic arsenal of options. When mated with the Magnecraft relays and accessories, these RoHS compliant sockets provide a complete modular system that will meet all your plug-in relay requirements in a package that is both visually appealing and functionally outstanding resulting in a Complete Solution.



**Finger-Safe**

Protects Operators from Live Circuits.

**Internal Coil Bus Jumper System**

Allows Connection to Adjacent Sockets Without Additional Wiring.

**I.D. Tag/Write-On Plastic Label**

Used for Identification of Relays in Multi-Relay Circuits.

**2-Way Side or DIN Rail Mounting System**

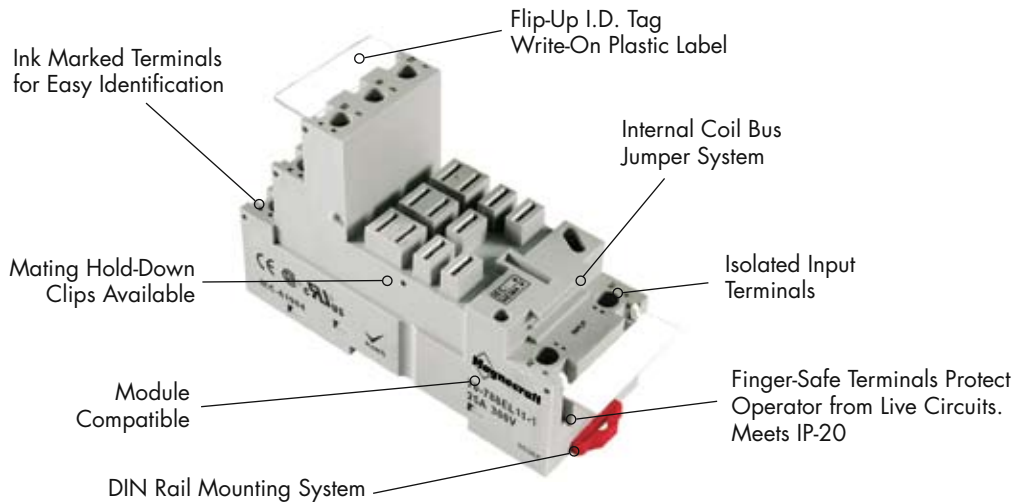
Retrofits Existing Panel Mounting and 35 mm DIN Rail.



## 70-788EL11-1 Socket/25 Amp Rating, 300 Volts

**NEW**  
**NEW**  
**NEW**  
**NEW**  
**NEW**

SECTION 2



**BOLD-FACED PART NUMBERS ARE NORMALLY STOCKED**



Standard Part Number	Description
<b>70-788EL11-1</b>	11-Pin Logic Style, Finger-Safe, DIN Mount, Elevator Terminals, Module Compatible

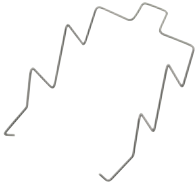
### General Specifications (UL 508)

Characteristics	Units	Value
Number of Terminals		11
<b>Electrical Rating</b>		
Nominal Voltage Rating	Volts	300
Nominal Current Rating	Amps	25
<b>Dielectric Strength</b>		
Output to Adjacent Output Terminals	V rms	3000
Output to Input Terminals	V rms	3000
Terminals to Rail / Chassis	V rms	3000
<b>Temperature</b>		
Operating Range:	°C	- 40 to + 80
Storage Range:	°C	- 40 to + 105
<b>Construction</b>		
Protection Category (Finger-Safe)	EN 60529	IP 20
Internal Metal Tracks		Copper Alloy, Zinc Plated
Screw Terminals		Steel, Zinc Plated
Screw Style		Combination Head,
Screw size	mm	M3.5
Screw Torque 3.5 mm (Maximum)	Lb-in / Nm	9 / 1.0
<b>Miscellaneous</b>		
Socket Mounting:		Din
Wire Size Capacity (Maximum)	EN 60204-1	AWG mm2
Soild Cu	AWG, mm2	10 / 12 (2) 6 / 4 (2)
Stranded Cu	AWG, mm2	10 / 12 (2) 6 / 4 (2)
Wire Connection Method		Elevator
DIN Rail Mounting	EN 60715	35mm
Flamability Rating	Class	94V-0
Body Color		Light Gray
DIN Locking Method		Red Plastic Locking Clip
Product Certification		UL, CSA
Conformance		CE, RoHS
Weight	grams	96

### Optional Mating Accessories



788 Relay



16-1351



70-ASM



16-750/788CBJ-1



16-750/788FT-1



16-700DIN

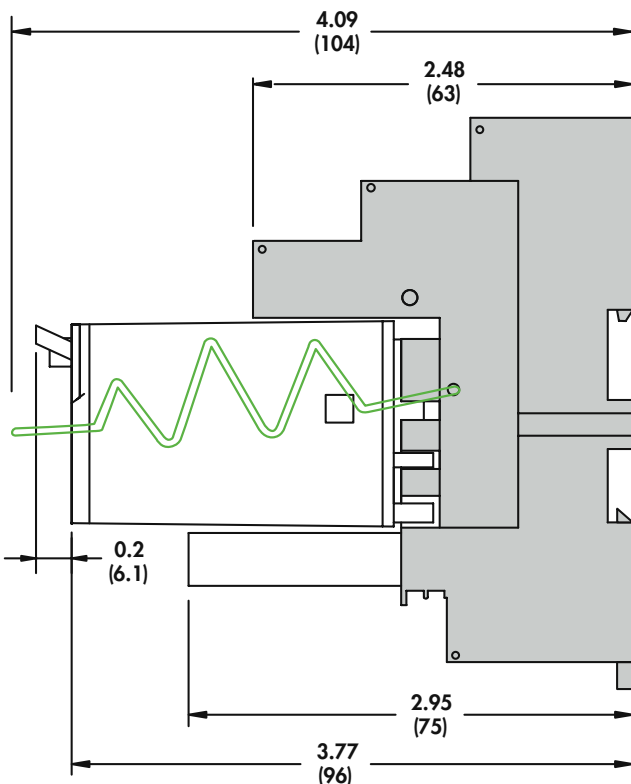


16-DCLIP-1

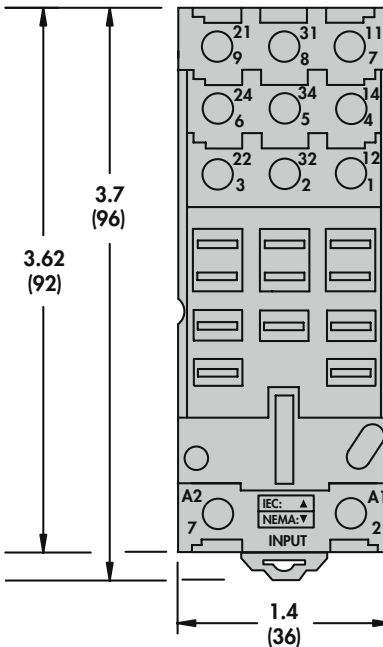


16-788C1

Standard Part Number	Description	Catalog Location
788	Relay	Section 1 p.30-38
16-1351	Metal Hold-Down Clip	Section 3 p.8-11
70-ASM	Module	Section 3 p.4-5
16-750/788CBJ-1	Coil Bus Jumper	Section 3 p.13
16-750/788FT-1	Plastic I.D. Tag	Section 3 p.12
16-700DIN	Metal DIN Rail	Section 3 p.19
16-DCLIP-1	DIN Rail Locking Clip	Section 3 p.19
16-788C1	Panel Mount Adapter	Section 3 p.18



**16-1351**  
Metal Hold-Down Clip  
See Section 3 p.8-11



**Wiring Diagram**  
Top View

